



MIXING – DOSING - BATCHING

EASY TO USE LINZ FLOWCONTROL SYSTEMS

nearly each kind of application are possible
broad spectrum of materials, including solventborne, waterborne epoxies,
and acid catalyzed materials



- use know how -



FC2.0 SIMATIC

Technology

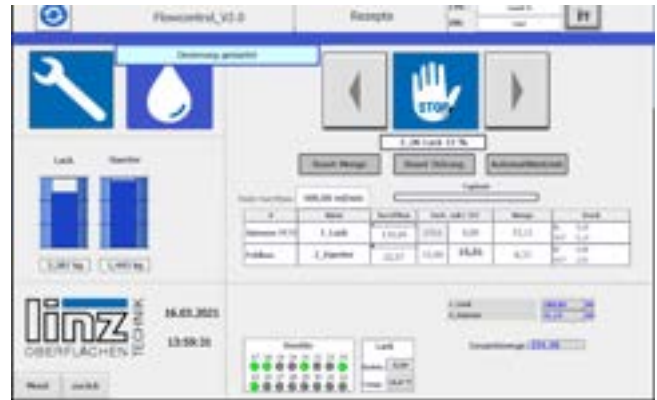
FlowControl FC2.0 based of SIMATIC TECHNOLOGY



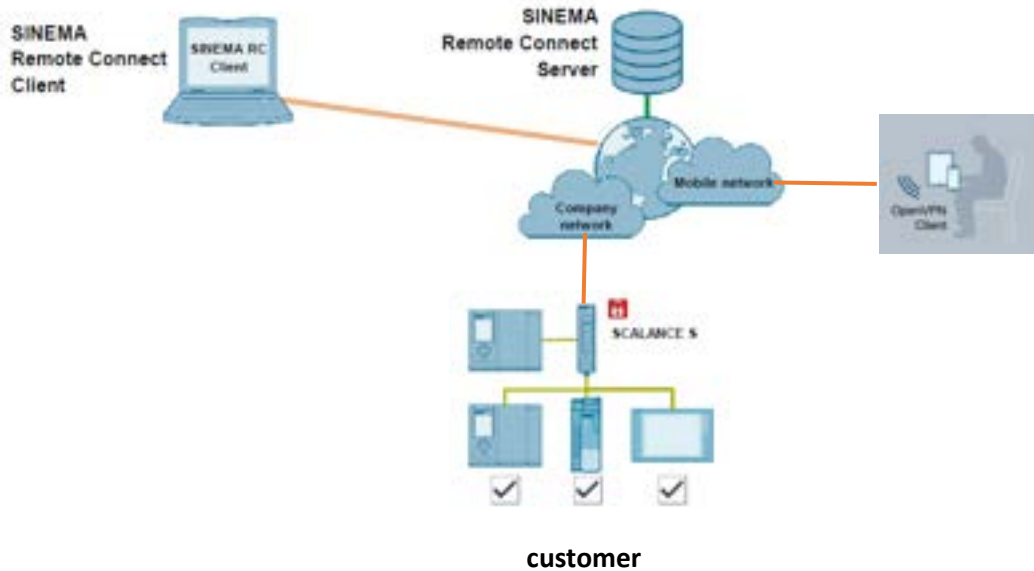
Rainer Linz
Oberflächentechnik GmbH
Linzer Strasse 1
A-3003 Gablitz

☎ +43 2231 65191-0
✉ office@linz-gmbh.com
🏠 www.linz-gmbh.com

operating by Touch or using PN/PN coupler
and operate from your PLC



support from beginning
SERVICE – UPDATE BY VPN REMOTE CONTROL



Rainer Linz
Oberflächentechnik GmbH
Linzer Strasse 1
A-3003 Gablitz

+43 2231 65191-0
office@linz-gmbh.com
www.linz-gmbh.com

TECHNICAL EQUIPMENT, OPTIONS

- **Software:** FlowControl useable for each application configuration
- **operating:** 1 – 4 components
- **pressure:** 1-250 bar
- **flow measurement:** Coriolis flowmeter / Gear flowmeter / inductive flowmeter
- **supply system:** piston pump, diaphragm pump, eccentric pump, piston dispenser
- **mixing system:** injection system, device control
- **ratio:** 0,1:1 - 1 : 1
- **accuracy:** depending from equipment and material 0,5 % - xxxx

- the use of valves and assemblies will be adapted to customer requirements

MEASURING DEVICES flow rate adaptable to your application (0,01 – xxx kg/min.)

- Coriolis flowmeter
- Inductive flowmeter



- Gear flowmeter



dispense devices



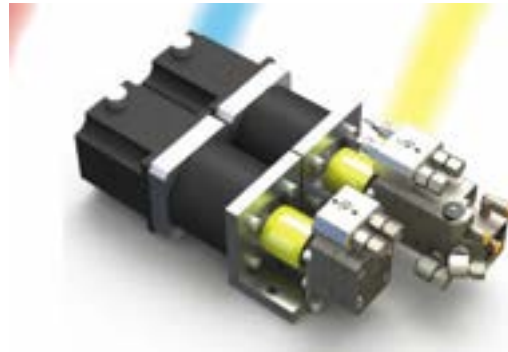
Rainer Linz
Oberflächentechnik GmbH
Linzer Strasse 1
A-3003 Gablitz

☎ +43 2231 65191-0
✉ office@linz-gmbh.com
🏠 www.linz-gmbh.com

gear pumps:

different types and flowrates, adapted to your application

- ADLC coated (easy cleaning)
- TITAN coated (abrasive products)
- stainless steel
- different types of gears
- servo drive management



eccentric pumps:

different types and flowrates, adapted to your application

- stainless steel
- different stators



supply pumps



Rainer Linz
Oberflächentechnik GmbH
Linzer Strasse 1
A-3003 Gablitz

☎ +43 2231 65191-0
✉ office@linz-gmbh.com
🏠 www.linz-gmbh.com

diaphragm pumps:

different types and flowrates, adapted to your application

- pneumatic pump, stainless steel
- sizes: G 3/8" - G 1/2" - G 1"



piston pumps:

different types and flowrates, adapted to your application

- classic piston systems
- bellows pumps for isocyanate



Rainer Linz
Oberflächentechnik GmbH
Linzer Strasse 1
A-3003 Gablitz

☎ +43 2231 65191-0
✉ office@linz-gmbh.com
🏠 www.linz-gmbh.com

spray application 2 component water-based glue

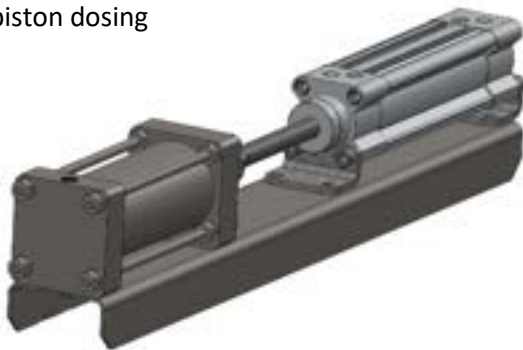
automatic spray



manual spray



piston dosing



Rainer Linz
Oberflächentechnik GmbH
Linzer Strasse 1
A-3003 Gablitz

☎ +43 2231 65191-0
✉ office@linz-gmbh.com
🏠 www.linz-gmbh.com

spray application Airless 2 component



automatic flush station
after pot life



Airless gun KS-5



Air assistant
DUO-H



Airless-pumps



spray application automatic HVLP - 3 component



Rainer Linz
Oberflächentechnik GmbH
Linzer Strasse 1
A-3003 Gablitz

☎ +43 2231 65191-0
✉ office@linz-gmbh.com
🏠 www.linz-gmbh.com

K-MIX PLC (recipe scanning)



supply center diaphragm pumps
agitator, level control



dosing by gear pumps, measuring by coriolis system



Rainer Linz
Oberflächentechnik GmbH
Linzer Strasse 1
A-3003 Gablitz

☎ +43 2231 65191-0
✉ office@linz-gmbh.com
🏠 www.linz-gmbh.com

metering and dispensing, single-component or multi-component materials

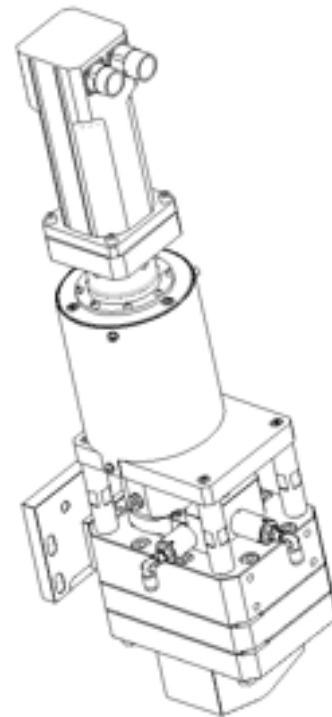
1 component glue dosing by gear pump

glue dosing line, controlled by Siemens S7



glue line

dosing pump 50 cc



Rainer Linz
Oberflächentechnik GmbH
Linzer Strasse 1
A-3003 Gablitz

☎ +43 2231 65191-0
✉ office@linz-gmbh.com
🏠 www.linz-gmbh.com

application 2 component PU glue



manual gun



automatic dosing gun

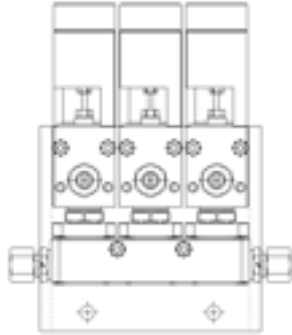


Rainer Linz
Oberflächentechnik GmbH
Linzer Strasse 1
A-3003 Gablitz

☎ +43 2231 65191-0
✉ office@linz-gmbh.com
🏠 www.linz-gmbh.com

Equipment for mixing and dosing applications

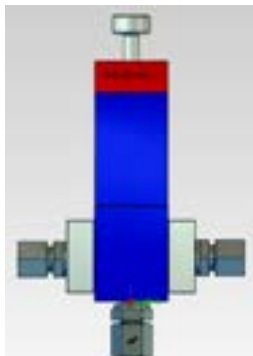
change over valves



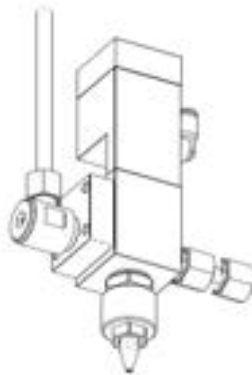
dynamic mixer head MMB-10
with servo motor



injection valves



dosing valves



different types and sizes of static mixer

different nozzle sizes
and design



Rainer Linz
Oberflächentechnik GmbH
Linzer Strasse 1
A-3003 Gablitz

+43 2231 65191-0
office@linz-gmbh.com
www.linz-gmbh.com